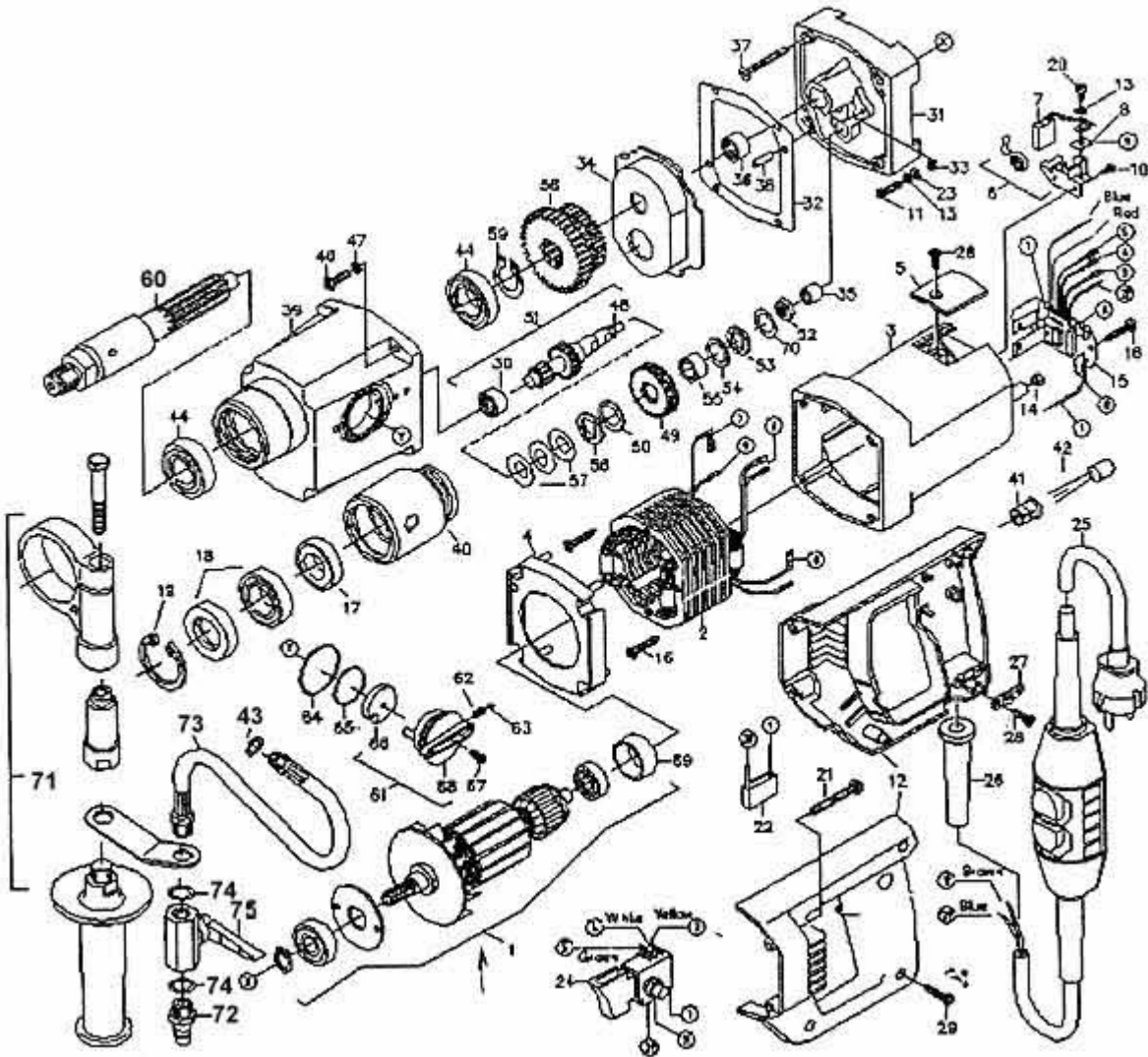


HC-2W - PERFURADORA PORTÁTIL



NOTA: USE SEMPRE O NÚMERO DE CATÁLOGO AO FAZER SEUS PEDIDOS.

Núm. Ref.	Núm. Cat.	Descrição	Núm. Ref.	Núm. Cat.	Descrição
1	70526	ARMATURE ASSY	39	70626	GEARCASE
2	55396	FIELD ASSY	40	70636	WATER COLLECTOR
3	55966	MOTORHOUSING ASSY	41	70646	DIODE HOLDER
4	55386	FANHOUSING	42	70656	DIODE
5	55976	BRUSHCAP	43	65086	SEAL 1/8
6	65396	BRUSHHOLDER ASSY	44	55806	BALL BEARING 6904
7	64786	SET OF CARBON BRUSHES	46	56296	SCREW M5 x 20
8	64796	AMP CONNECTOR PLATE	47	55716	LOCKWASHER 5
10	56186	SCREW 2,9 x 13	48	71786	INTERMEDIATE GEAR
11	56286	SCREW M4 x 16	49	70676	CLUTCH-GEAR
12	70536	HANDLE SET	50	65206	BRASS WASHER
13	64836	LOCKWASHER 4,3	51	70686	CLUTCH ASSY
14	55936	PLASTIC NUT M5	52	65196	HEX NUT M10 x 1
15	70556	CONNECTOR PLATE ASSY	53	65186	DRIVE PLATE
16	56136	SCREW 4,2 x 25	54	65176	BRASS WASHER
17	70566	SEAL 30 x 40 x 5	55	55926	BUSHING
18	70576	SEAL 30 x 42 x 7	56	65216	DRIVE PLATE
19	70586	CIRCLIPS 42/1,75	57	65226	BELLEVILLE WASHER 28
20	56266	SCREW M4 x 6	58	71776	IDLER GEAR
21	64876	SCREW 4,8 x 45	29	55596	CIRCLIP 19/1
22	55416	SUPPRESSOR	60	70696	OUTPUTSPINDLE
23	56016	WASHER 4,3	61	55476	SHIFT KNOB ASSY
24	55736	SWITCH	62	56006	COMPRESSION SPRING
25	70596	LINE CORD W. GFI SWITCH	63	55676	BALL
26	55946	CABLE SLEEVE	64	55686	O-RING 36 x 1,5
27	55906	CABLE CLAMP	65	55646	O-RING 28 x 1
28	56116	SCREW 4,2 x 13	66	70486	MOUNTING PLATE
29	56126	SCREW 4,2 x 22	67	70496	SCREW M3 x 12
30	70606	BUSHING 1012	68	70506	SHIFTER KNOB
31	55506	COVER FOR GEARCASE	69	65346	BEARING SLEEVE
32	55516	PACKING F. GEARCASE	70	70516	BELLEVILLE WASHER 25
33	56096	O-RING 3,68 x 1,78	71	55526	AUXILLARY HANDLE ASSY
34	70476	PARTITION FOR GREASE	72	70716	CONNECTOR GARDENA
35	65006	BUSHING 0810	73	65286	HOSE ASSY
36	56226	BUSHING 1210	74	65326	SEAL 1/4
37	55696	SCREW 4,5 x 50	75	65316	VALVE
38	65606	DOWEL PIN 5 x 16			