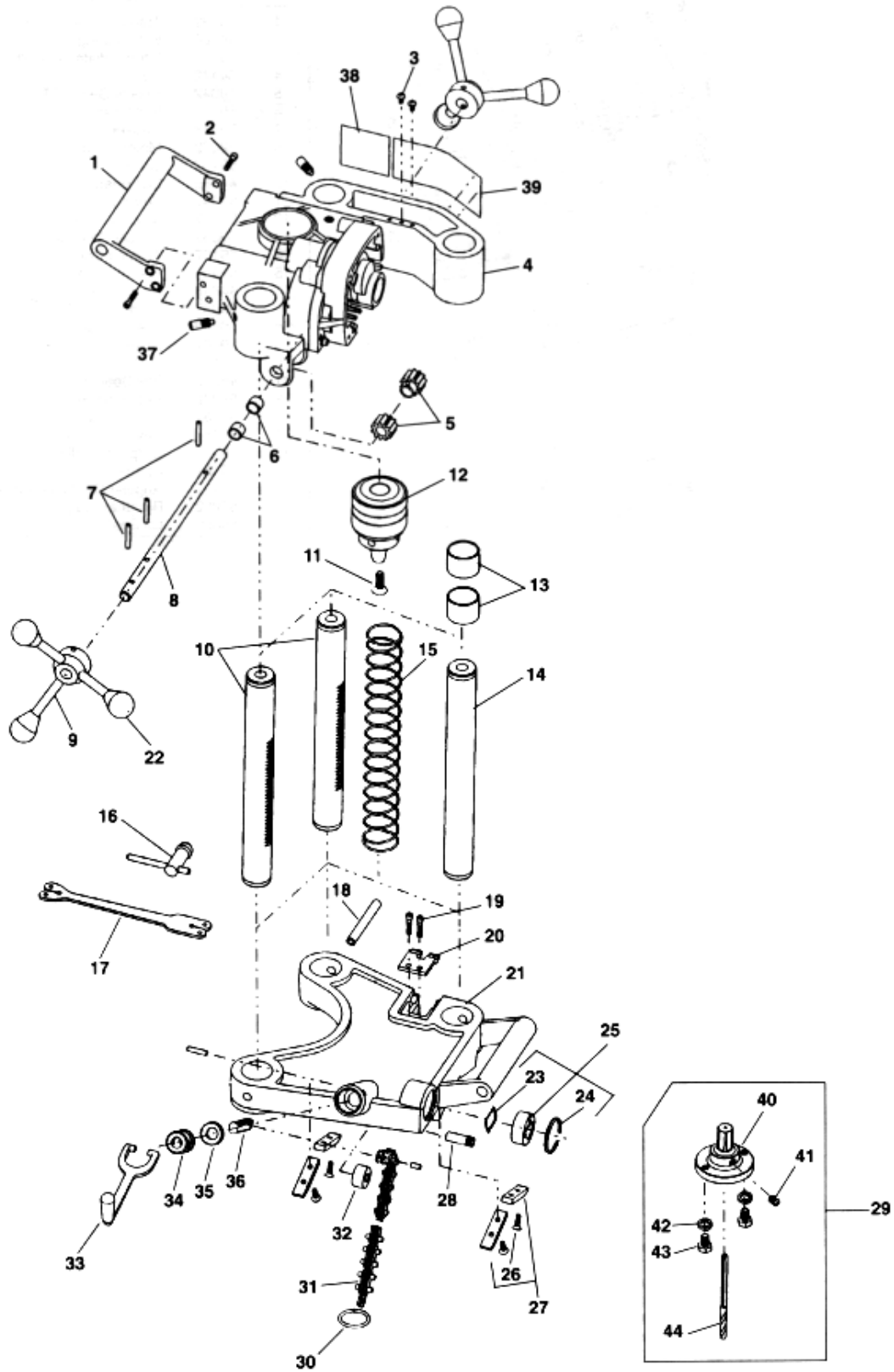


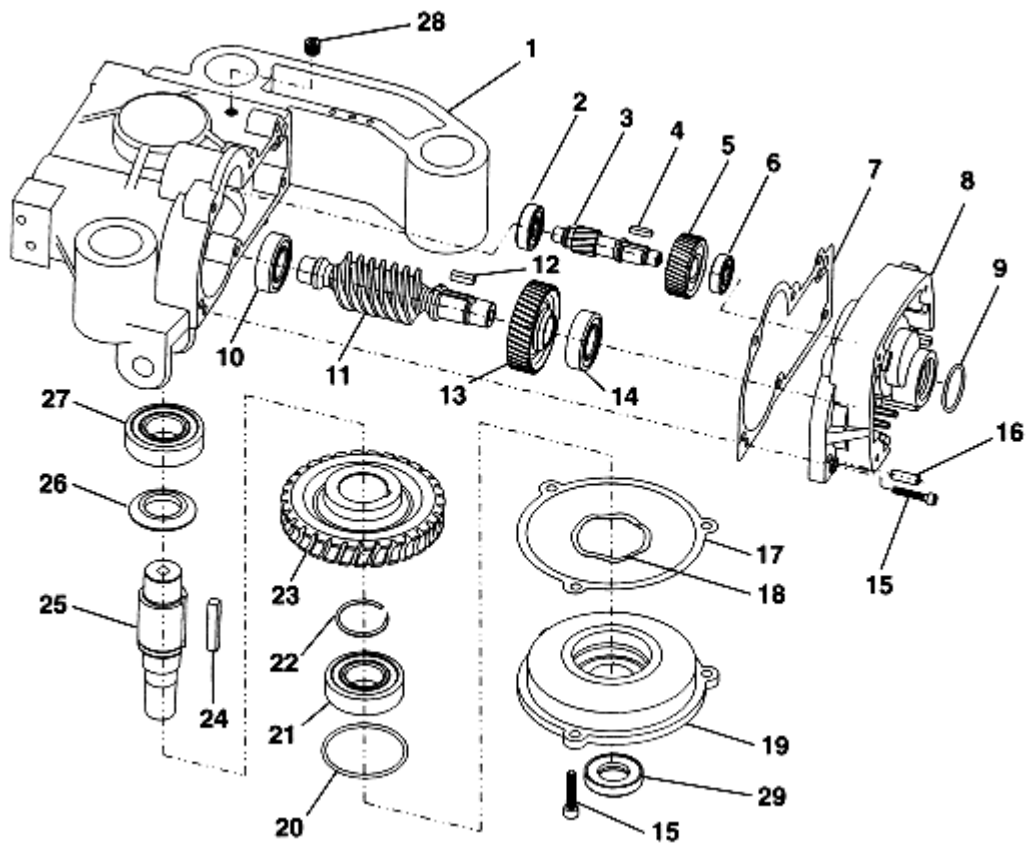
HC-300 - Base e Cabeçote



NOTA: USE SEMPRE O NÚMERO DE CATÁLOGO AO FAZER SEUS PEDIDOS.

Núm. Ref.	Núm. Cat.	Descrição	Núm. Ref.	Núm. Cat.	Descrição
1	59117	Handle, (100V Model Only)	23	59017	Wave Washer
2	32205	Soc Head Cap Screw, 1/4-20 x5/8 (4)	24	59182	Retaining Ring
3	45420	Screw, # 10-24 x3/8	25	58997	Level Vial Assembly
4	—	Transmission Assembly - see next page	26	59192	Set of 4 Screws, #10-24 x 1/2, Soc FH
5	59092	Pinion (2)	27	59187	Wear Pad with Screws (4)
6	53072	Bearing (3)	28	41035	Knurl Pin
7	34342	Roll Pin, 3/16 X 15/ 16 (4)	29	59502	R-4 Arbor Assembly
8	59032	Feed Shaft	30	32555	Wire Ring
9	58957	Handwheel	31	59012	Chain Assembly
10	58952	Rack(2)	32	40990	Roll
11	59377	Flat Head Screw, 5/16- 18 X 1	33	32120	Handle
12	59247	Chuck with Key - Jacobs Style	34	32130	Swivel Nut
—	59022	Chuck with Key - JIS Style	35	58987	Friction Ring
13	59027	Set of 2 Bearings (3)	36	32135	Chain Screw
14	58967	Post	37	59382	Gib Screw Set
15	59177	Compression Spring (3)	38	59337	Warning Label (120,240V)
16	59132	Chuck Key - Jacobs Style	39	58982	Wiring Diagram (120V)
—	59057	Chuck Key - JIS Style	—	59322	Wiring Diagram (240V)
17	59102	Key Keeper	40	59372	R4 Arbor
18	44850	Roll Pin, 1/4x 2 (3)	41	59387	Set Screw, 5/16-24 x 1/2 , Cup Pt.
19	40260	Soc Head Cap Screw, #10-24 x 1/2	42	60080	Lockwasher, 5/16 (2)
20	58992	Wear Plate	43	60010	Hex Screw, 5/16-18x 1/2 (2)
21	58977	Base	44	53085	Pilot Drill, 1/4"
22	34932	Knob(3)			

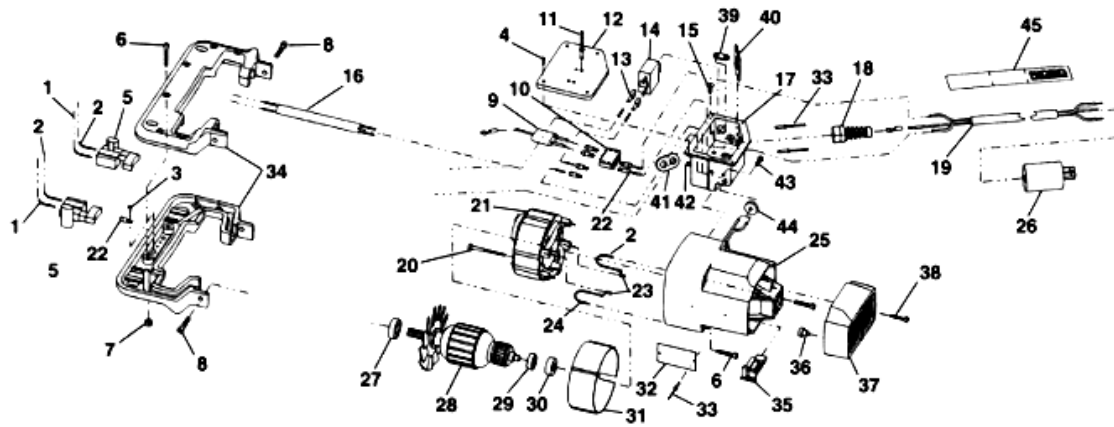
Transmissão



NOTA: USE SEMPRE O NÚMERO DE CATÁLOGO AO FAZER SEUS PEDIDOS.

Núm. Ref.	Núm. Cat.	Descrição	Núm. Ref.	Núm. Cat.	Descrição
1	59062	Transmission Housing	16	44640	Dowel Pin, 1/4x3/4 (2)
2	44760	Ball Bearing	17	59087	Gasket
3	59037	Intermediate Gear Shaft	18	59082	Wave Washer
4	34472	Key	19	59067	Cover
5	59042	Helical Gear, 39T	20	59172	O-Ring
6	59147	Ball Bearing	21	45315	Ball Bearing
7	59077	Gasket	22	58972	Retaining Ring
8	59072	Motor Adapter	23	59167	Worm Gear
9	59157	O-Ring	24	26457	Key, 1/4 sq. x 13/16
10	44565	Ball Bearing	25	59142	Output Spindle
11	59047	Worm Shaft	26	59162	Spacer
12	26657	Key, 3/16 sq. x 5/8	27	59152	Angular Contact Bearing
13	59052	Helical Gear, 44T	28	59252	Breather Plug
14	59137	Angular Contact Bearing	29	59392	Oil Seal
15	59935	Soc Hd Cap Scr, 1/4-20 x 1 (9)			

Motor e Componentes Elétricos, 230V



NOTA: USE SEMPRE O NÚMERO DE CATÁLOGO AO FAZER SEUS PEDIDOS.

Núm. Ref.	Núm. Cat.	Descrição	Núm. Ref.	Núm. Cat.	Descrição
1	61307	Wire, 16 Ga, Brown (2)	24	61317	Wire, 16 Ga, Blue
2	61312	Wire, 16 Ga, Red (2)	25	45892	Motor Housing
3	46980	Screw, #6-32 x 5/16 (2)	26	90145	Plug, 15A/250V
4	60575	Screw, #6-32 x 3/8 (4)	27	45912	Ball Bearing
5	59362	Switch, 230V (2)	28	58552	Armature, 230V
6	93680	Soc Hd Cap Screw # 10-24 x 1 (10)	29	43017	Ball Bearing
7	44695	Hex Nut #10-24 (6)	30	42777	Rubber Sieve
8	32205	Soc Hd Cap Screw, 112-20 x 118 (4)	31	58577	Fan Shroud
9	36502	Supressor	32	—	Motor Nameplate
10	59367	Terminal Block	33	85920	Set of 5 Rivets
11	59112	Pop Rivet, 5/32" (4)	34	59257	Handle Set
12	65957	Cover Plate, 230V	35	45882	Brush & Holder Set
13	59007	Terminal Set	36	45877	Bumper (2)
14	59357	Circuit Breaker, 6 Amp	37	45872	End Cap
15	59192	Screw, #10-24 x 1/2" FH Soc	38	45867	Screw, Self Tap (2)
16	59342	Insulator Tube	39	59407	Ground Spacer
17	59242	Junction Box w/Cover	40	59412	Strain Relief
18	54177	Strain Relief	41	59402	Seal
19	59237	Power Cord	42	61327	Nut, #6-32 (4)
20	45902	Field Screw Set	43	93595	Screw Self Tap (2)
21	58567	Field 230V	44	59397	Gasket
22	83895	Ring Terminal	45	59097	Cinch Strap
23	59127	Set of 2 Terminais			